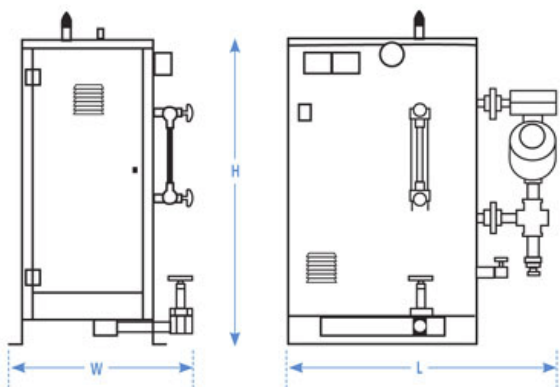




ES Packaged Electric Steam Boilers Specifications



Boiler Model	KW*	Bhp Rating	Lbs/Hr. Steam**	3 Phase Voltage ***	Total Amp Draw	Dimensions Inches			Shipping Weight (Lbs.)
						W	L****	H	
ES-12*	12	1.22	36.2	208	34	20	28	36	230
				240	29				
				480	15				
ES-18*	18	1.84	54.2	208	50	20	28	36	240
				240	44				
				480	22				
ES-24*	24	2.45	72.3	208	67	23	33	44	300
				240	58				
				480	29				
ES-30*	30	3.06	90.4	208	84	23	33	44	310
				240	73				
				480	37				
ES-36*	36	3.67	108	208	100	23	33	44	310
				240	87				
				480	44				
ES-48	48	4.90	145	208	134	23	33	44	315
				240	116				
				480	58				
ES-60	60	6.12	181	208	167	23	33	44	360
				240	145				
				480	73				
ES-72	72	7.35	217	208	200	23	33	44	390
				240	174				
				480	87				
ES-100	108	11.0	325	208	284	28	34	59	625
				240	246				
				480	123				
ES-135	144	14.6	433	208	400	30	36	59	735
				240	347				
				480	173				
ES-160	158	16.1	475	240	379	30	36	61	785
				480	190				
ES-180	180	18.4	542	240	434	30	36	61	790
				480	217				

*Single Phase available.

**Lbs/hr steam at 212°F with 50°F feedwater.

***Other voltages available.

****Allow 21 inches for heating element removal.